

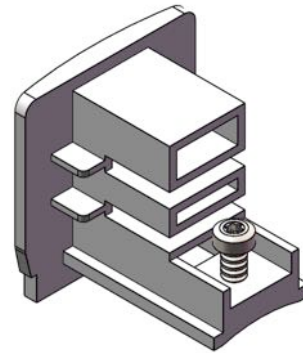
PRODUKTDATENBLATT

ARTIKEL: ENDKAPPEN FÜR 3 PHASEN
03-0125-03-xxx

RETAIL

CONCEPTS

PROCUREMENT PARTS SUPPLIER FULL SERVICES
COST ADVANTAGE PROTOTYPING OPTIMIZATION
LOGISTIC SERVICE TO EU PRODUCT TEST REPORT VR & AR EQUIPMENT
TECHNICAL DRAFTING CUSTOMER PACKING HALF & FULL PARTS



Produktbeschreibung:

Endkappen Rechts & Links verwendbar für 3 Phasen Stromschiene, Kunststoff Spritzguss, mit Sicherungsschraube

Artikel Nummer:

03-0125-03 - xxx

xx-xxxx-xx. - 601 / Farbe Weiß

xx-xxxx-xx - 603 / Farbe Schwarz

L / B / H / Maße / Farbe:

31 x 32 x 25 mm / weiss - schwarz

Gewicht netto:

Montageart:

Passend für:

03-121-03 - xxx

03-161-03 - xxx

Bemerkung 1:

Bemerkung 2:

CE / VDE / TÜV - geprüft

DIN EN 60570 - VDE 0711 -300

Bemerkung 3:

Technische und formale Änderungen vorbehalten. Sämtliche technische Daten unterliegen den industrieüblichen Toleranzen.



PRODUKTDATENBLATT

ARTIKEL: ENDKAPPEN FÜR 3 PHASEN
03-0125-03-xxx

RETAIL

C O N C E P T S

PROCUREMENT PARTS SUPPLIER FULL SERVICES
COST ADVANTAGE PROTOTYPING OPTIMIZATION
LOGISTIC SERVICE TO EU PRODUCT TEST REPORT VR & AR EQUIPMENT
TECHNICAL DRAFTING CUSTOMER PACKING HALF & FULL PARTS

SURFACE:	DATE:	2021/7/8	03-0125-03	
MATERIAL:	DRAW:	Allen		
WEIGHT:	0.006kg	SCALE:	A4 1.5:1	RETAIL Trading (Ningbo)Co.,Ltd. No.828 Quishi Road,Jishigang Industrial Zone, Haishu District,315171 Ningbo,China +86 574 8901 5423
PROJECT:		PAGE:	1 / 1	
<small>measurements, functions, stability of the construction, is to check from the supplier side. The supplier take care that he use for the production the state of the art.</small>				
<small>all design, all design ideas, all construction, all technical, intellectual property of the technical draw, the owner is Retail Concepts Co., Ltd. did some design will be used for a second party, they need the writing approval. Did Retail Concepts will found any infringement we will use the right for costs and damages.</small>				

